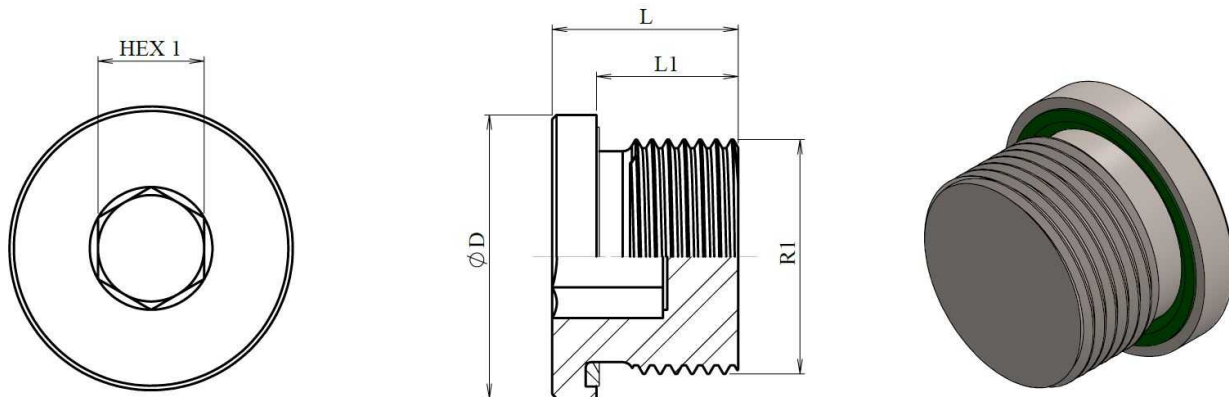


Blanking plug with captive seal BSP cylindrical

Stainless Steel AISI 316

1/1**Seal:** FKM

Part n°	R1	Working Pressure (bar)	L	L1	HEX 1	ØD
Z STOPFEN 1/8	1/8" BSP	400	12	8	5	14
Z STOPFEN 1/4	1/4" BSP	400	17	12	6	19
Z STOPFEN 3/8	3/8" BSP	400	17	12	8	22
Z STOPFEN 1/2	1/2" BSP	400	19	14	10	27
Z STOPFEN 3/4	3/4" BSP	400	21	16	12	32
Z STOPFEN 1	1" BSP	400	23	18	17	40
Z STOPFEN 1 1/4	1"1/4 BSP	250	26,5	18	24	55
Z STOPFEN 1 1/2	1"1/2 BSP	250	28,5	18	22	50